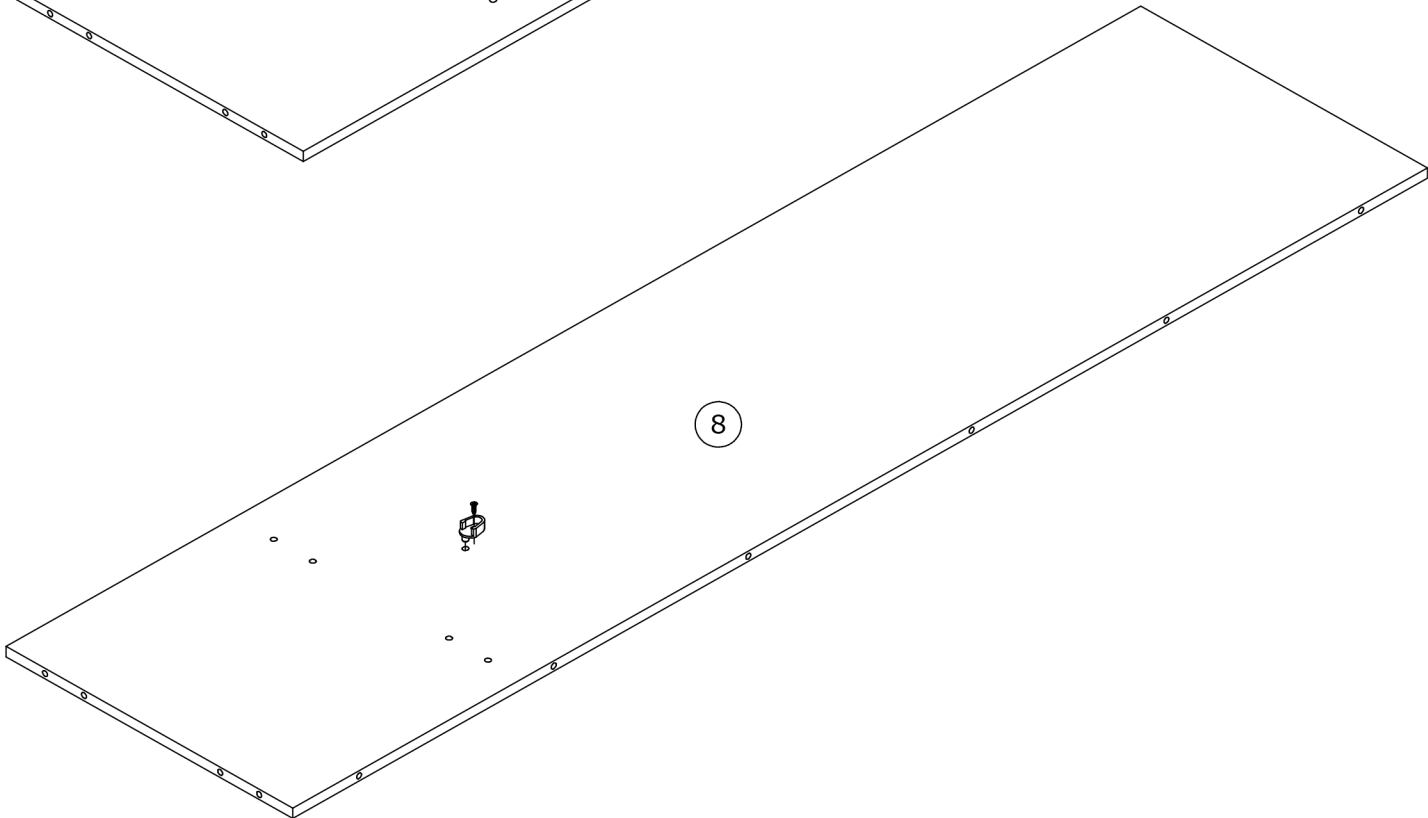
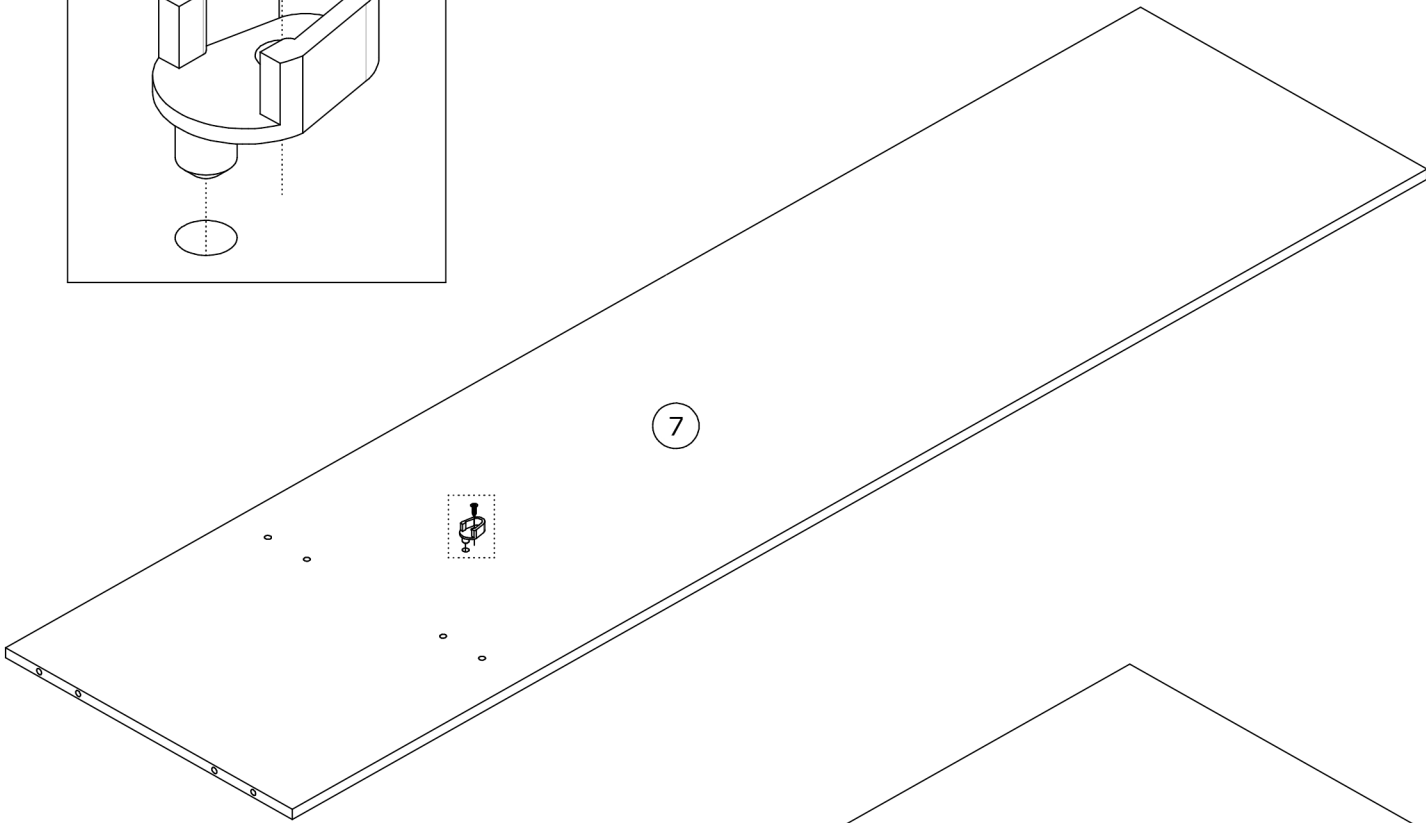
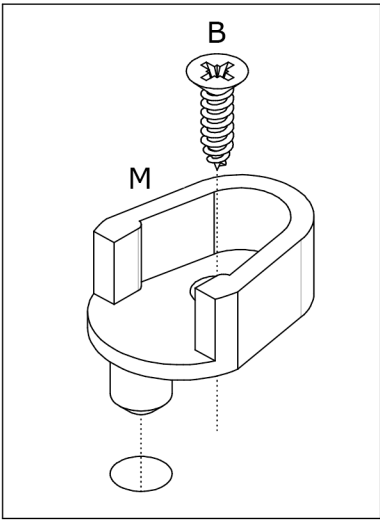
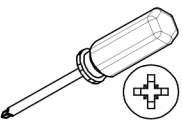
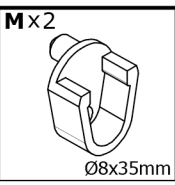
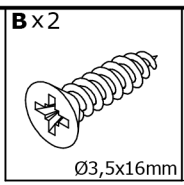
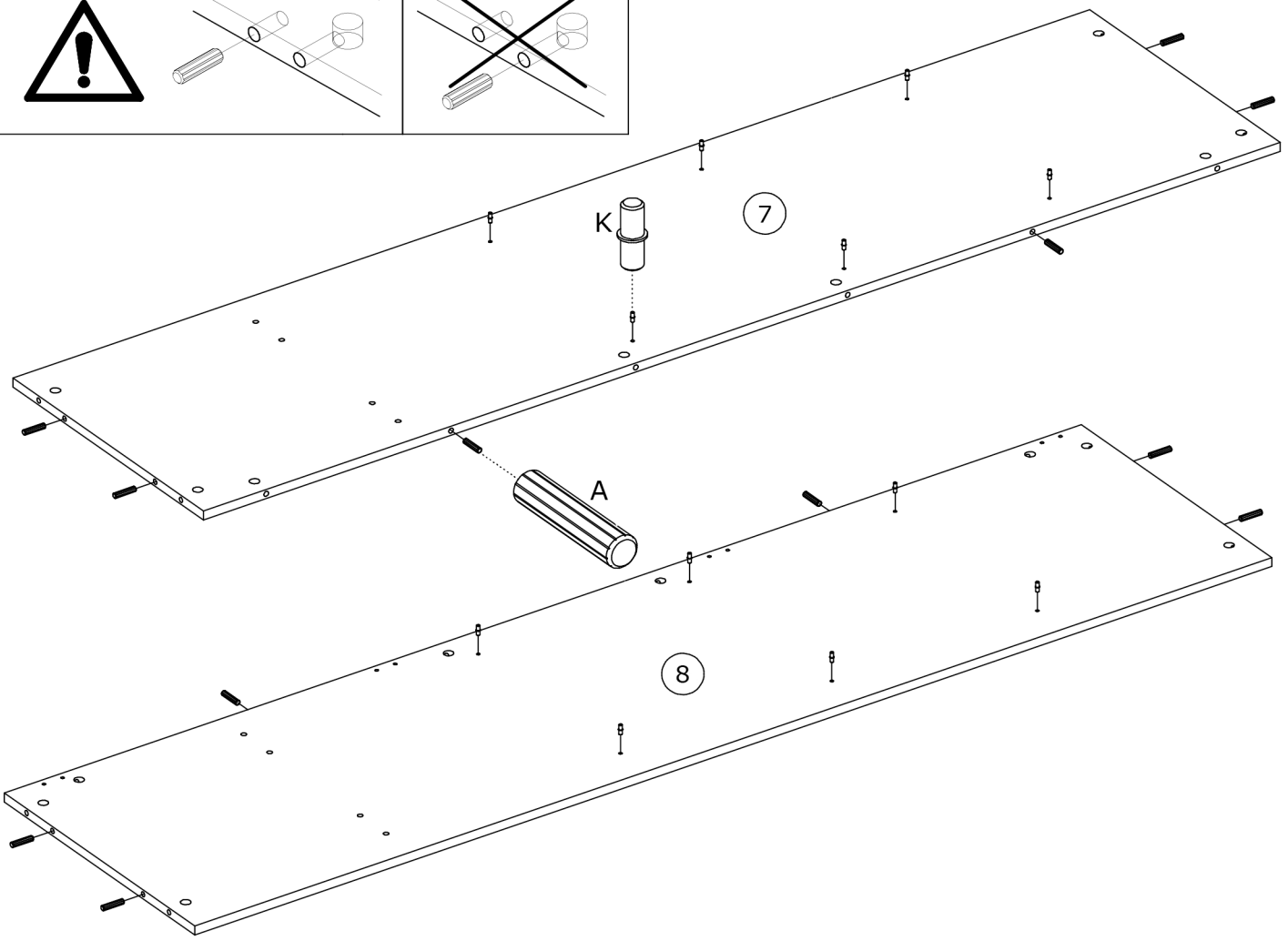
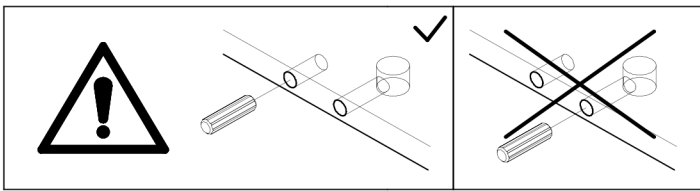
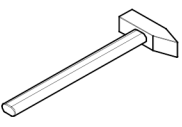
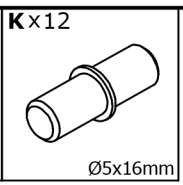
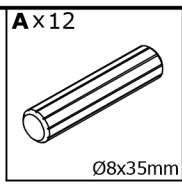




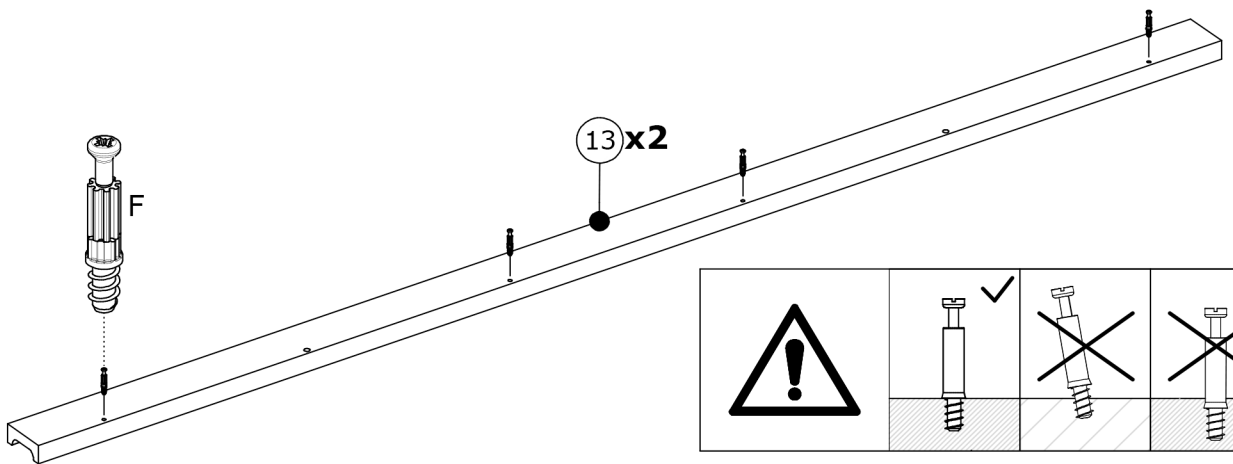
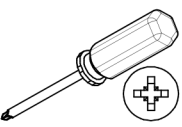
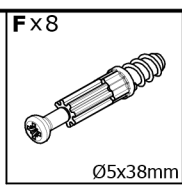
**1**



**2**

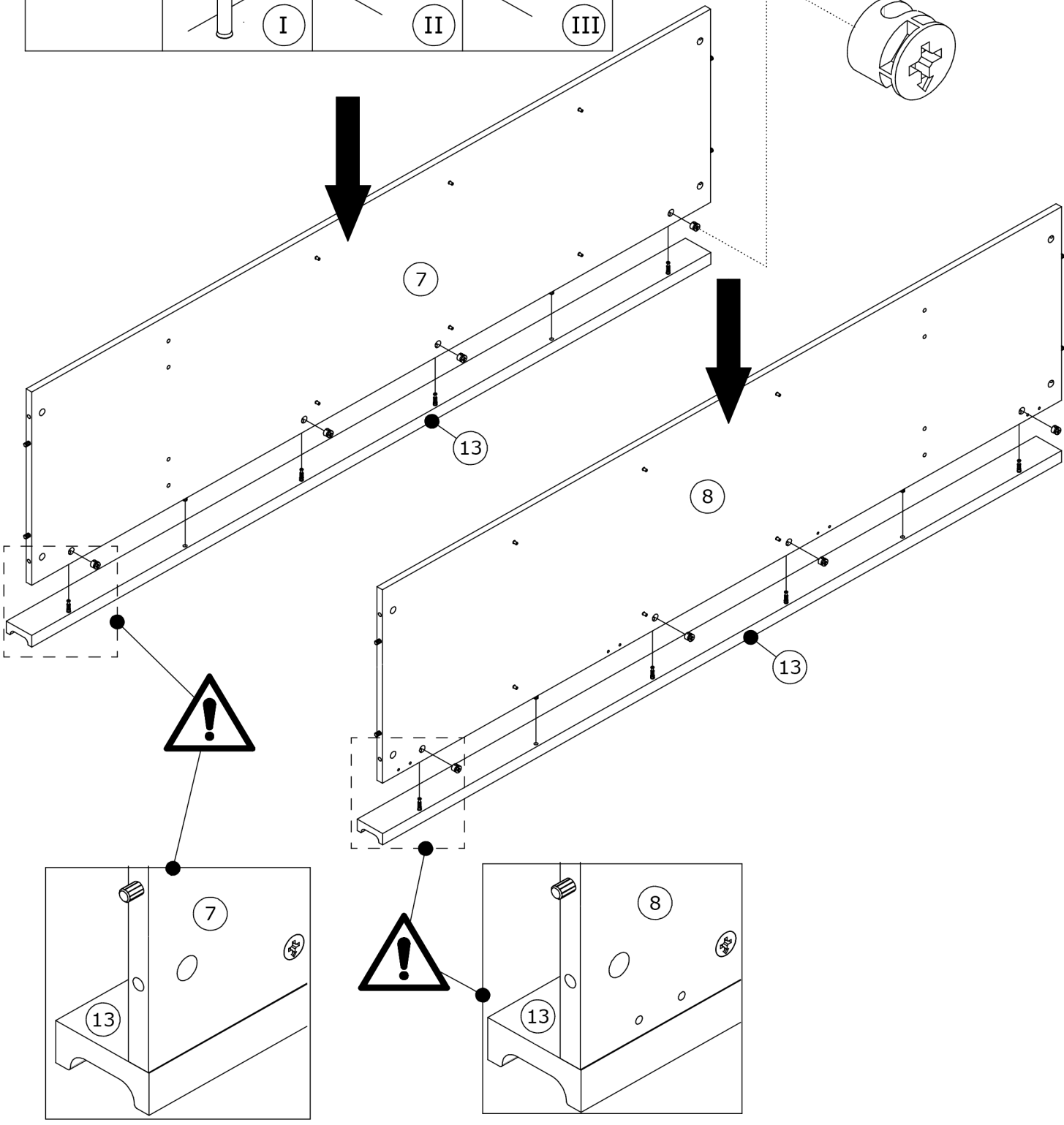
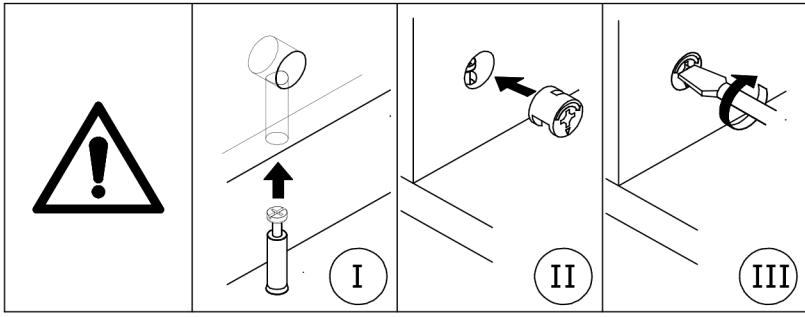
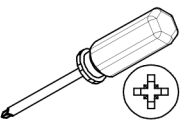


**3**

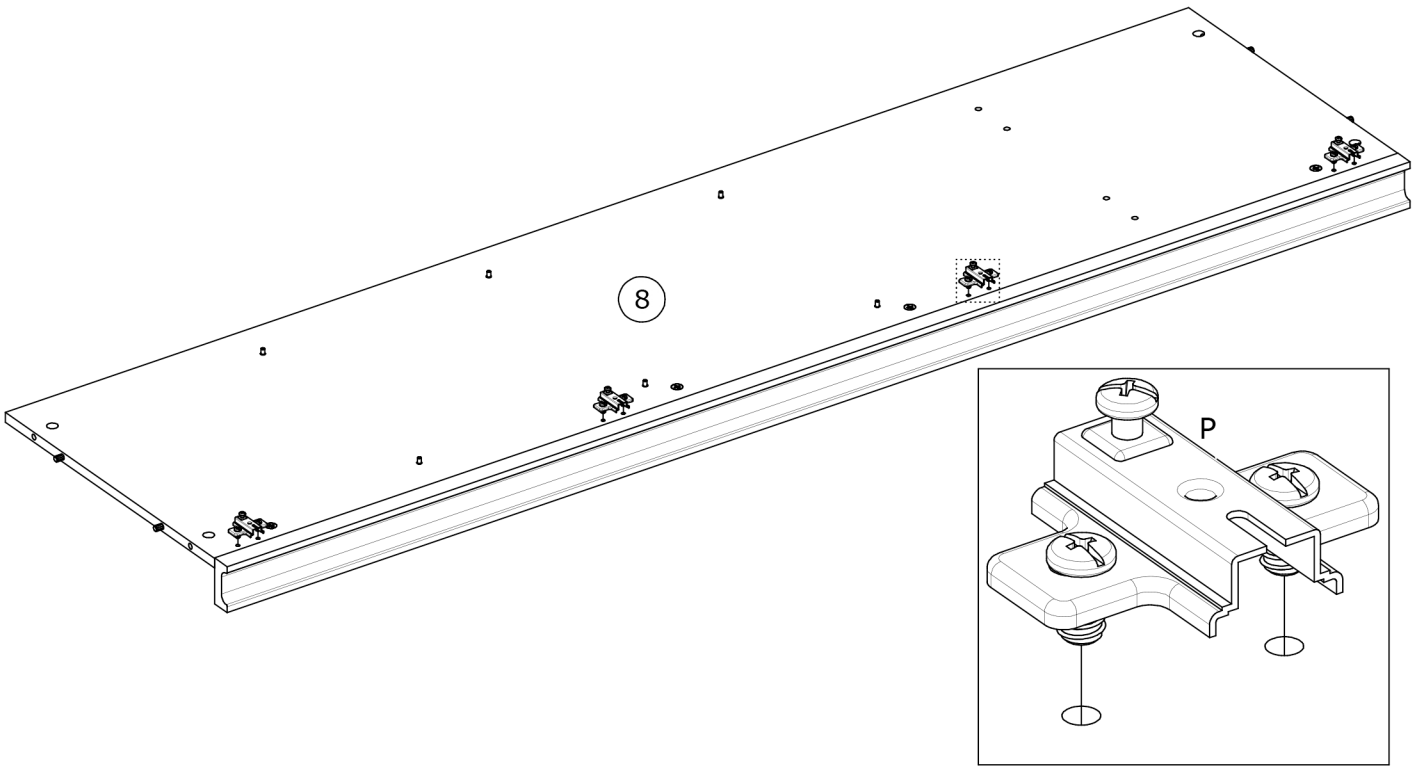
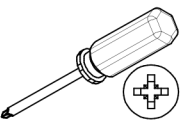
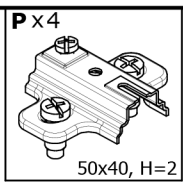


4

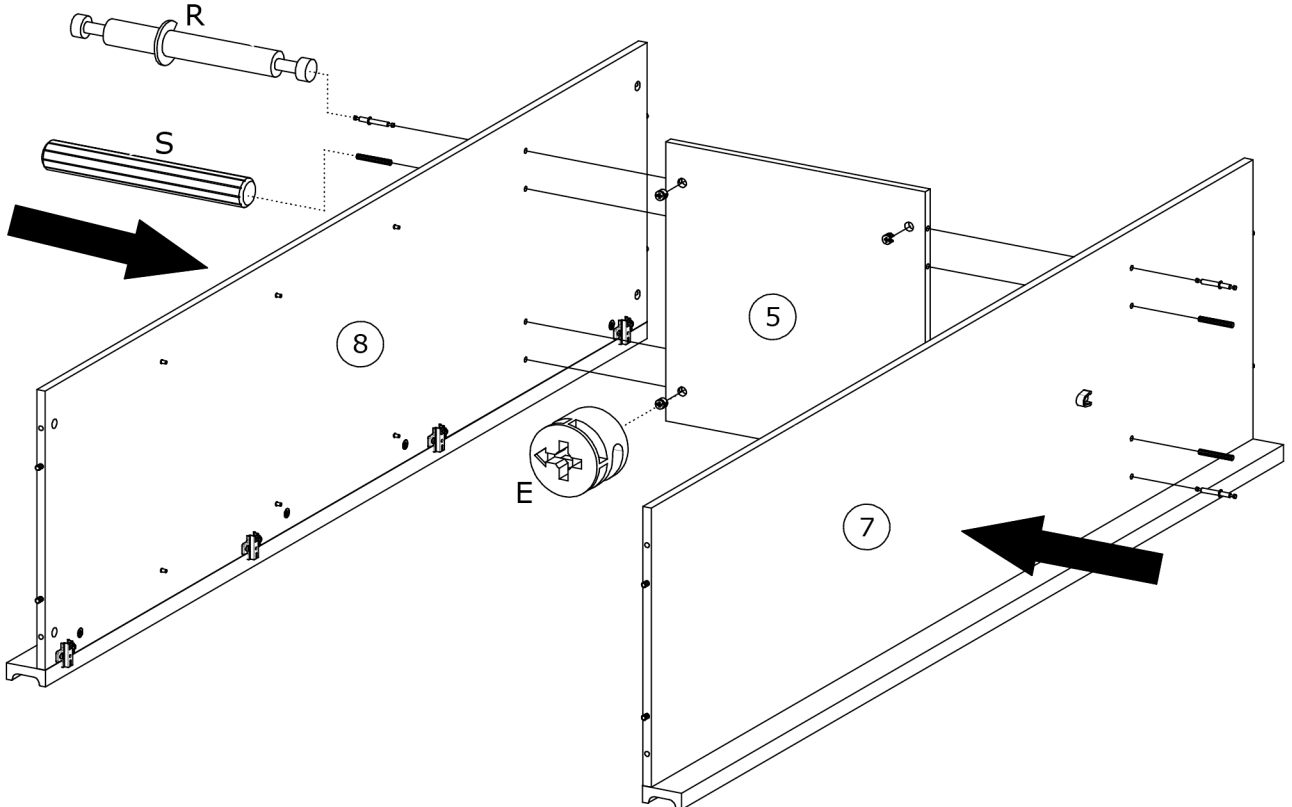
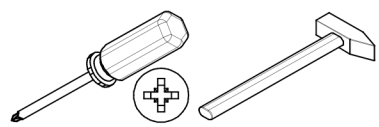
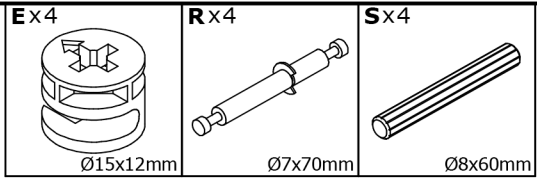
Ex8  
Ø15x12mm



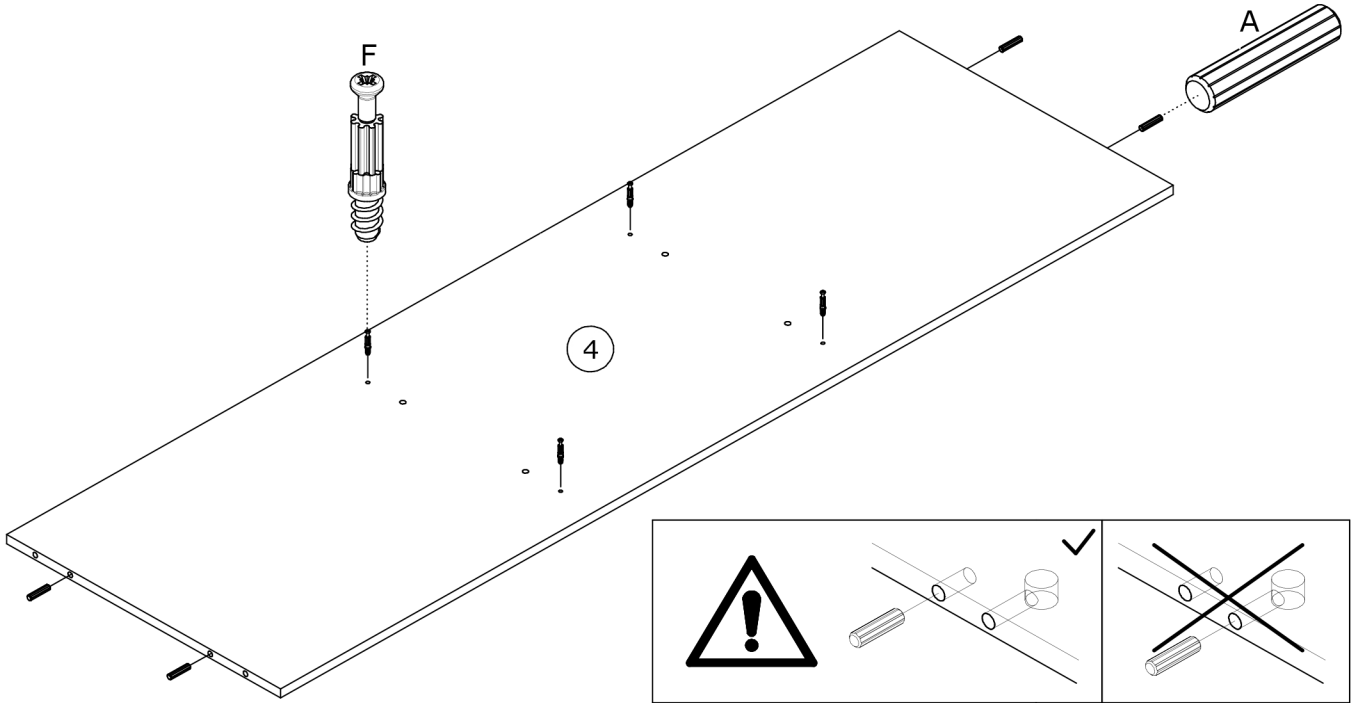
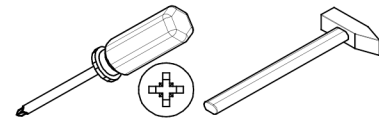
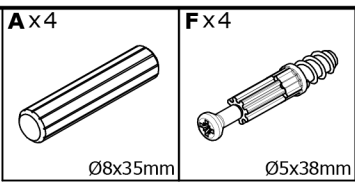
5



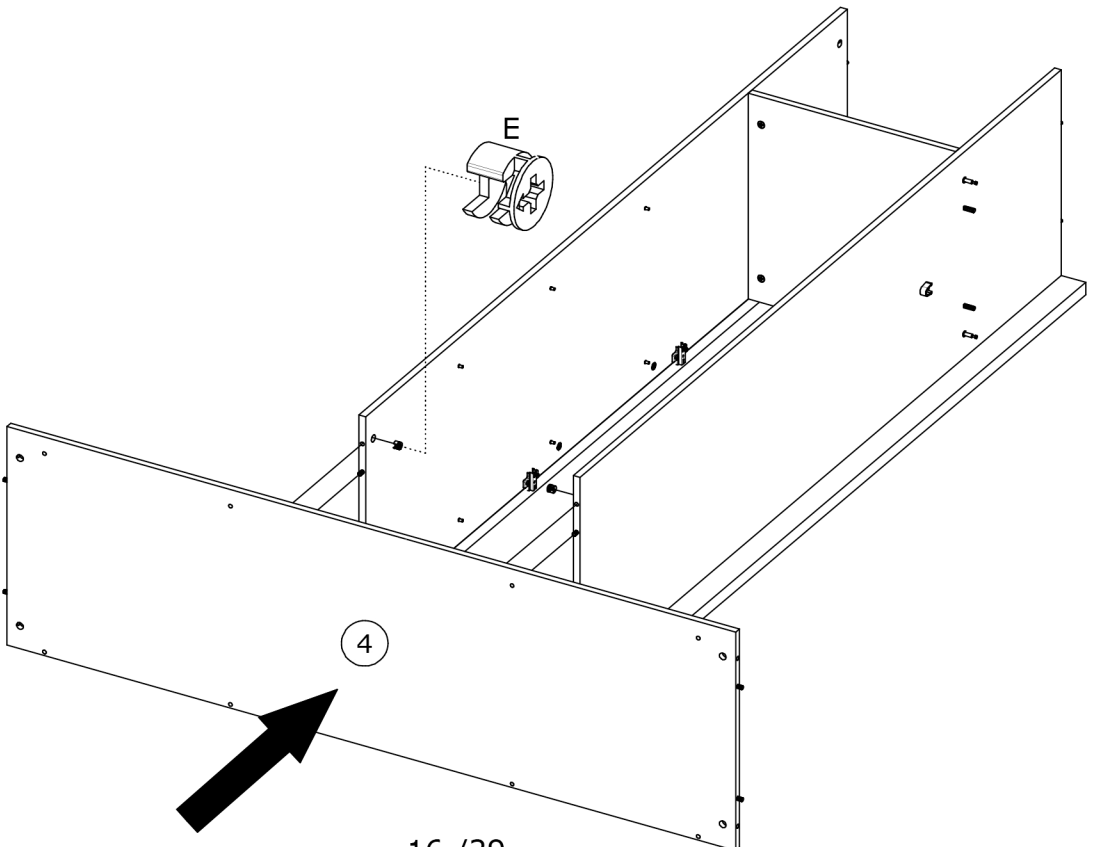
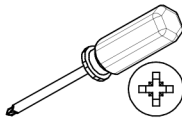
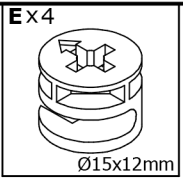
6



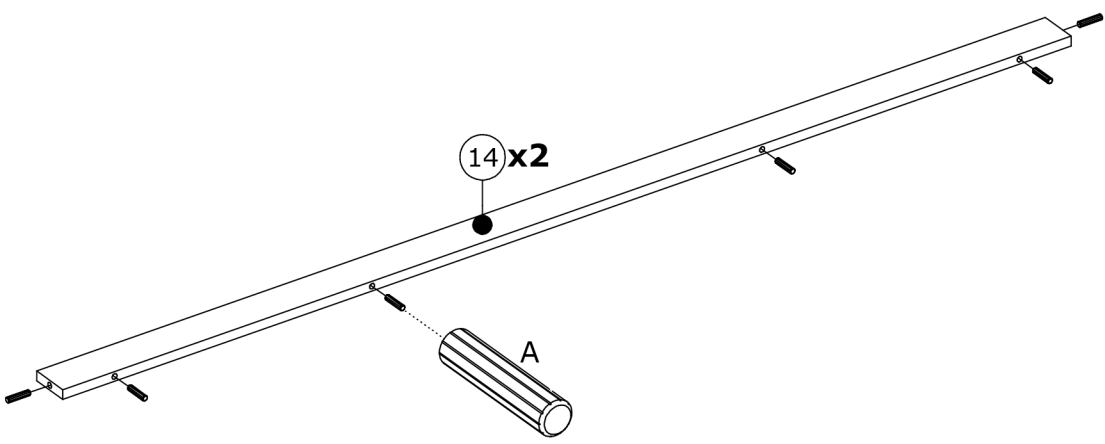
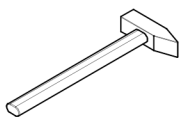
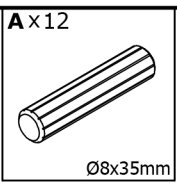
7



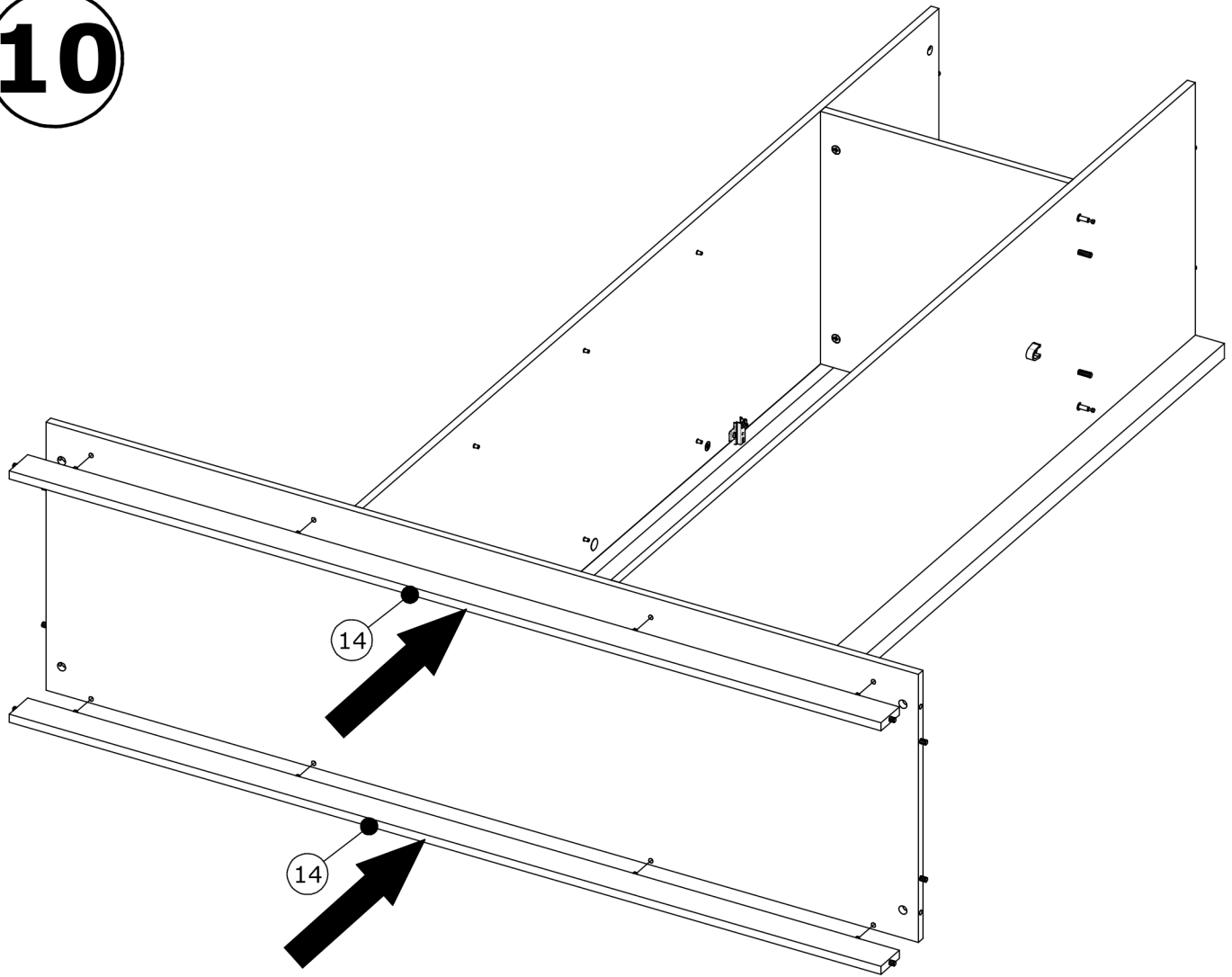
8



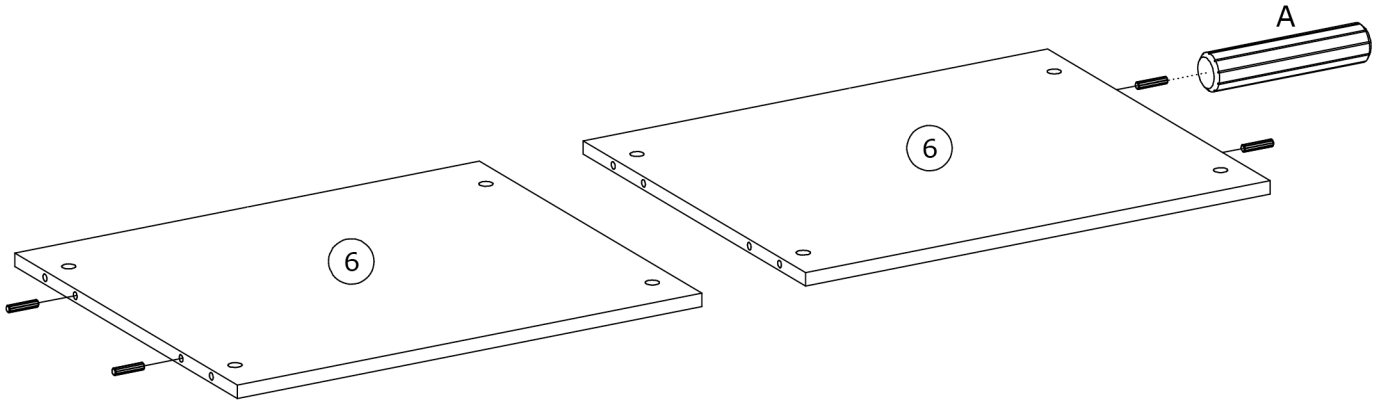
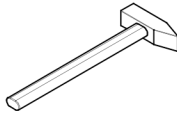
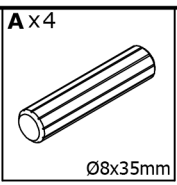
9



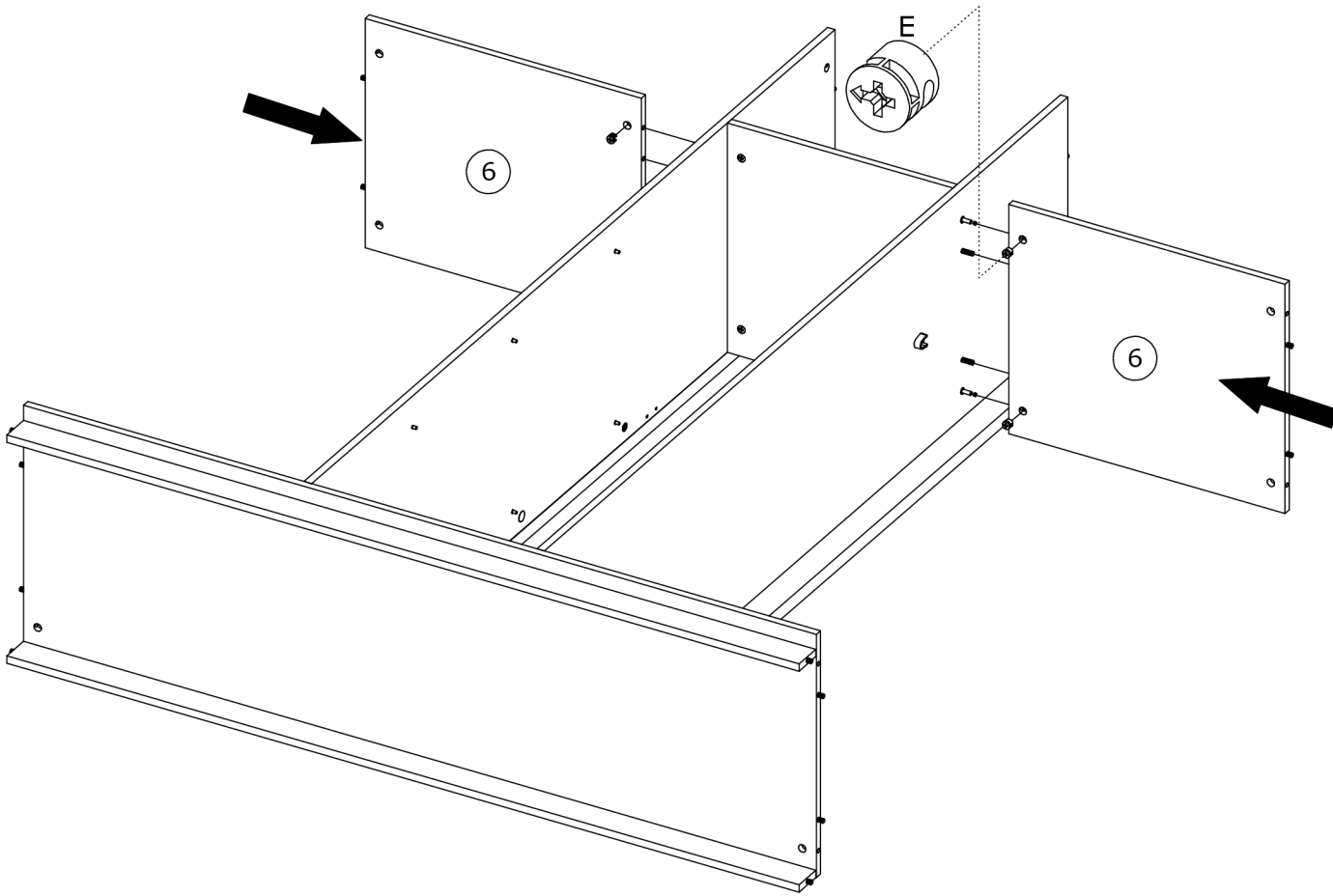
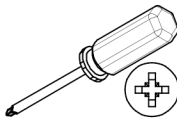
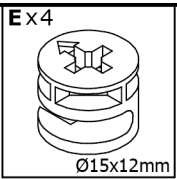
10



11

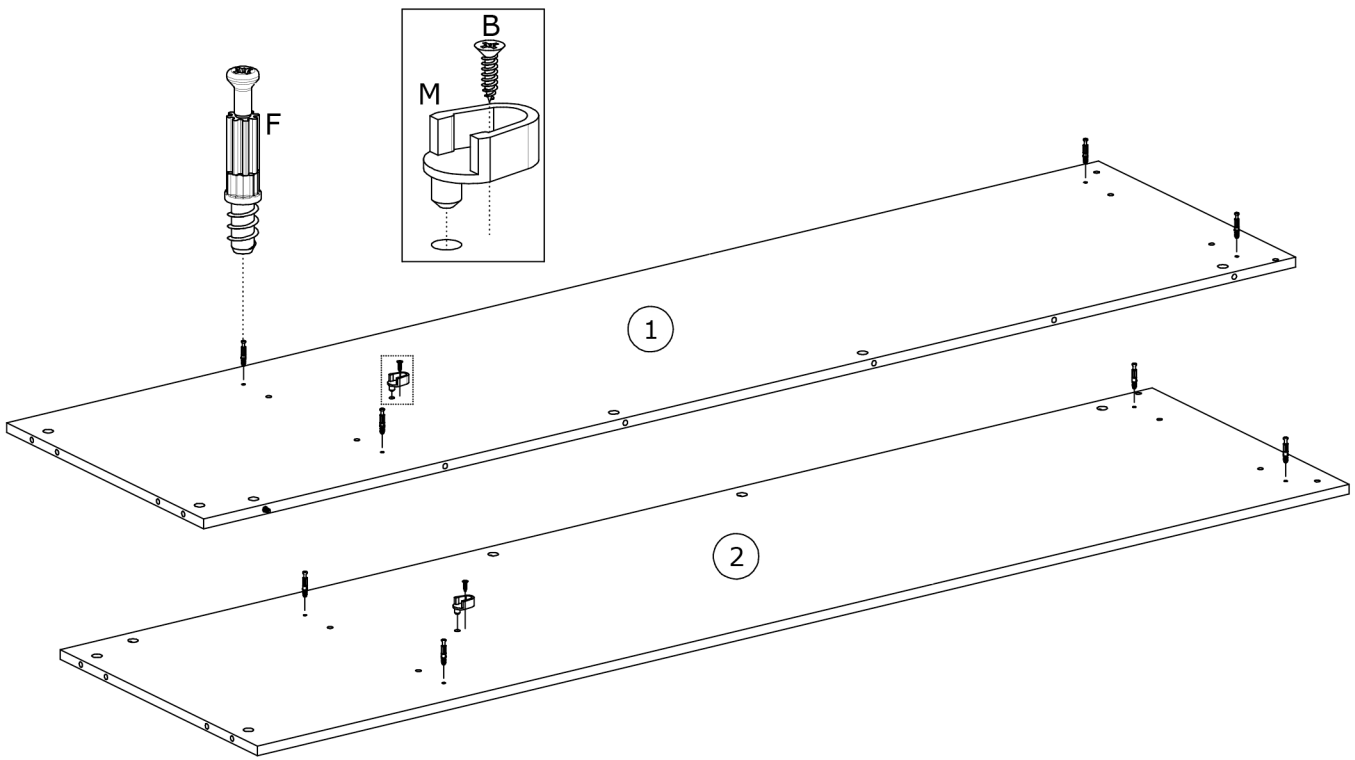
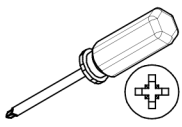
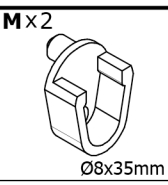
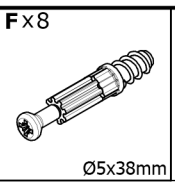
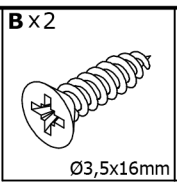


12

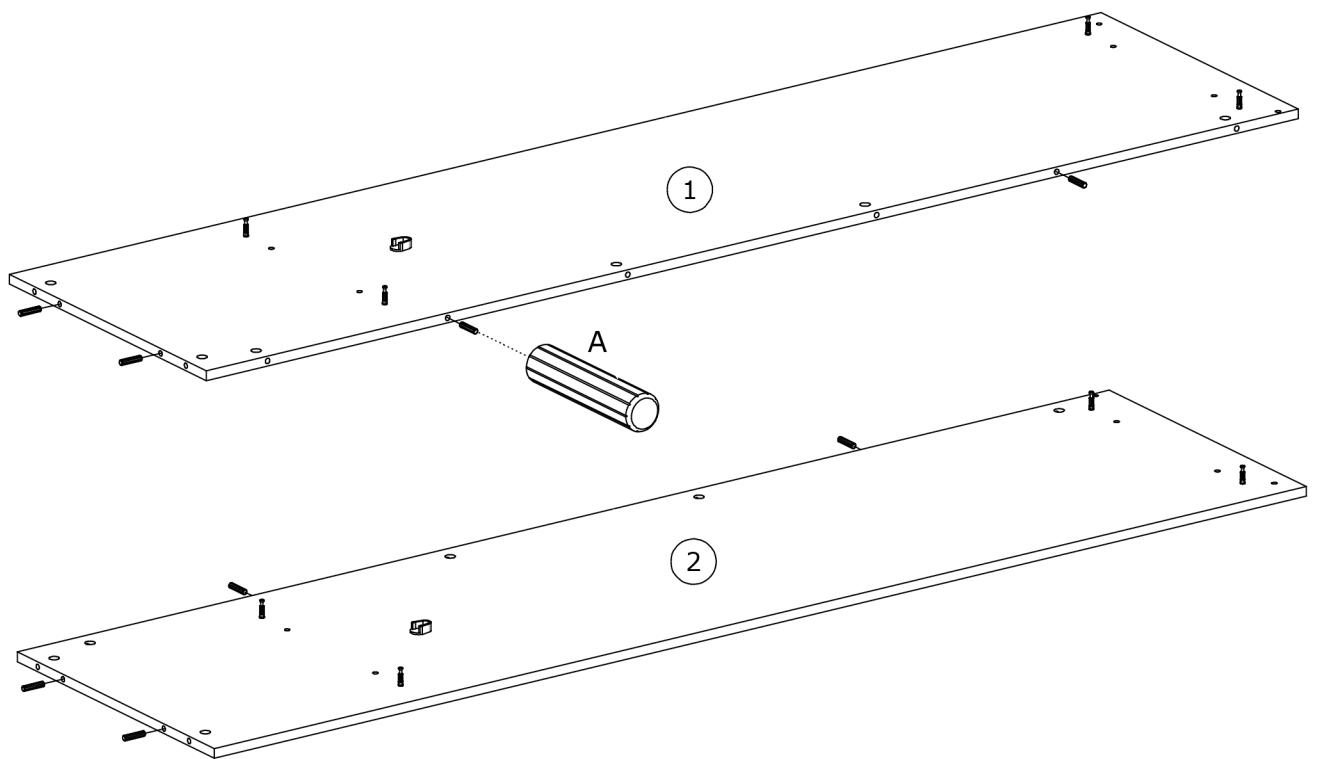
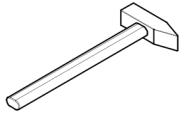
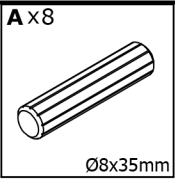




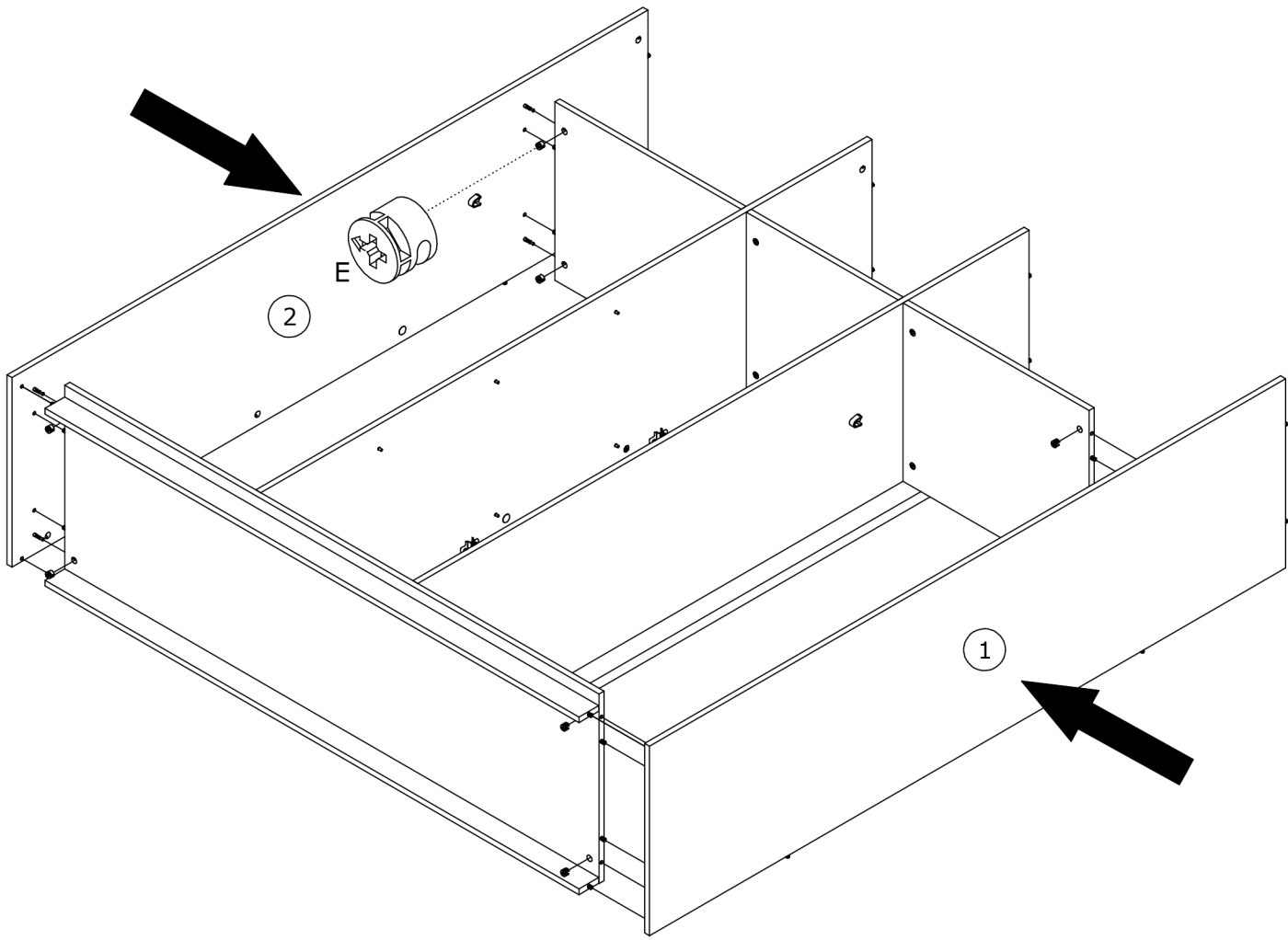
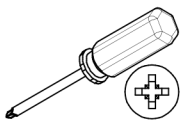
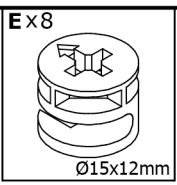
# 13



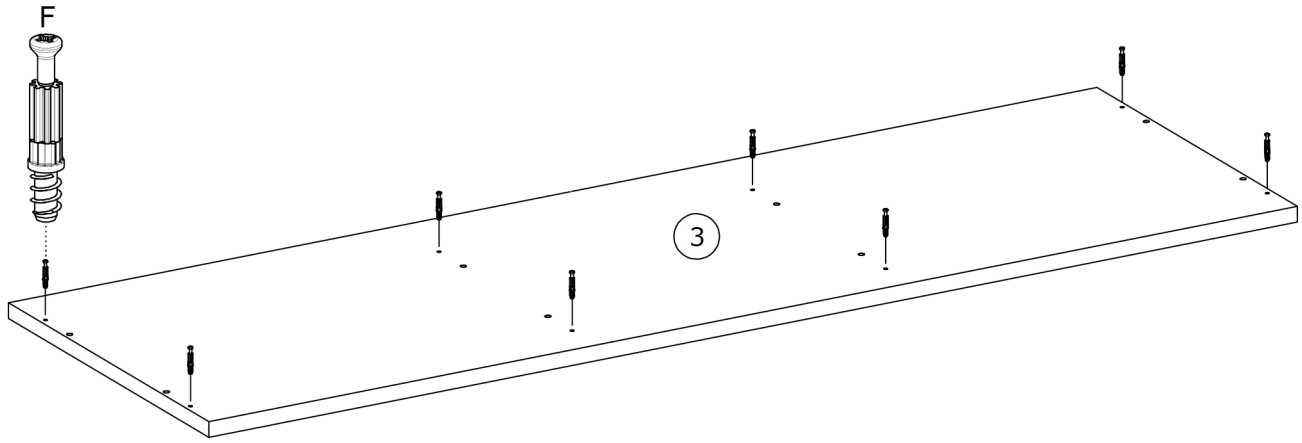
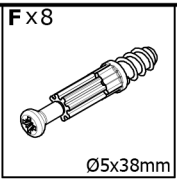
# 14



15



16



17

C x 12

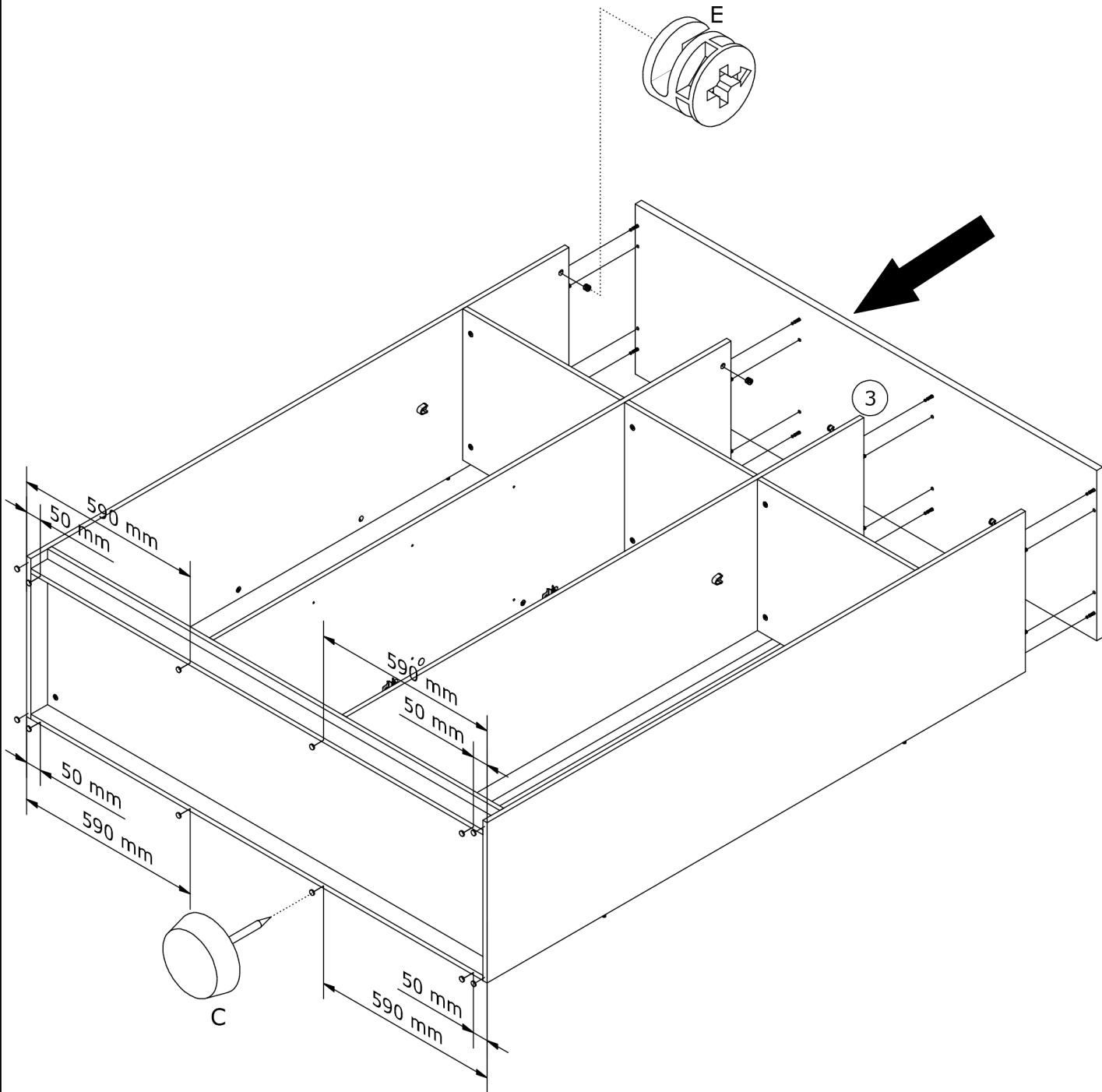
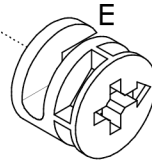
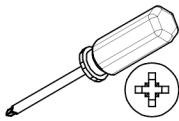


Ø15x20mm

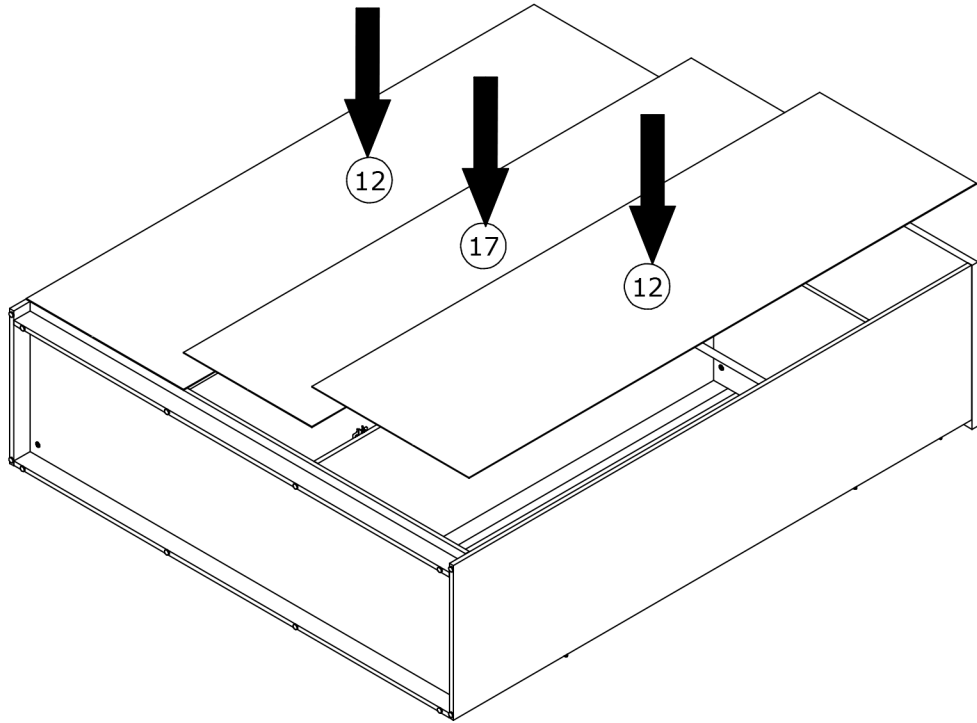
E x 8



Ø15x12mm

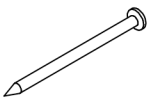


**18**



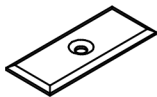
**19**

H x 32

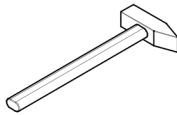


26mm

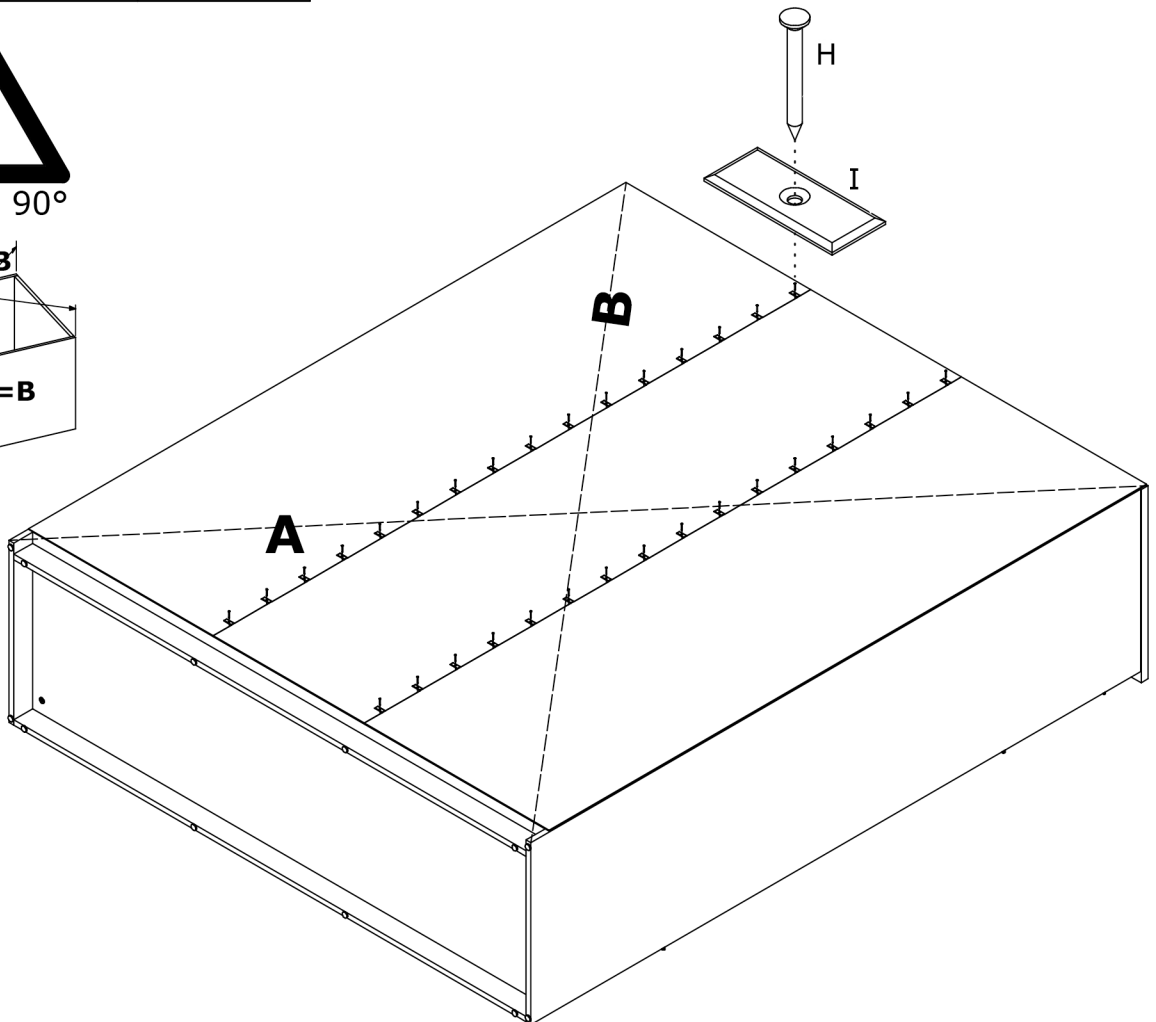
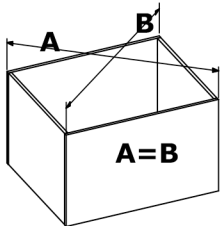
I x 32



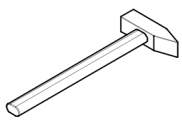
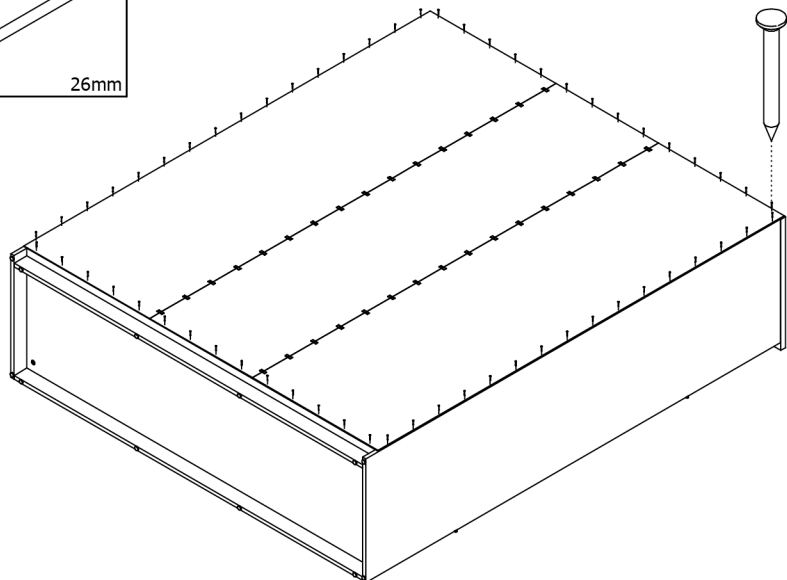
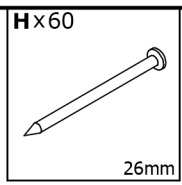
22x10mm



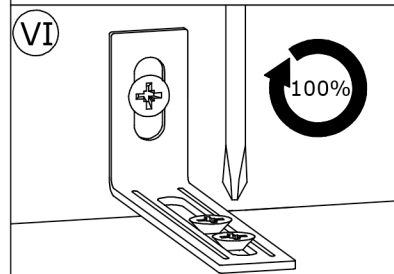
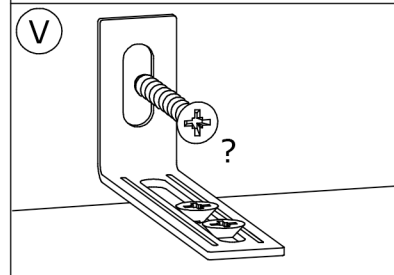
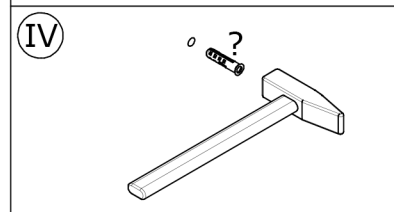
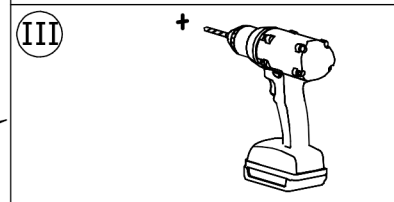
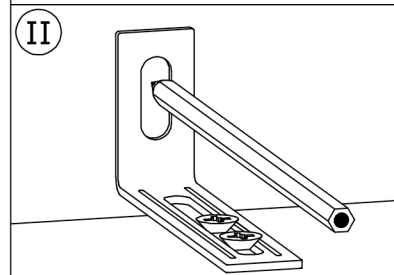
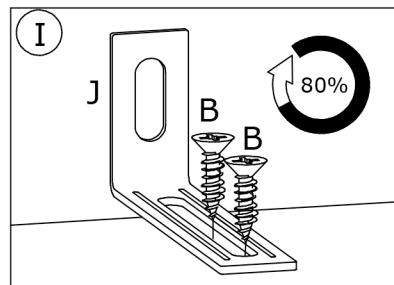
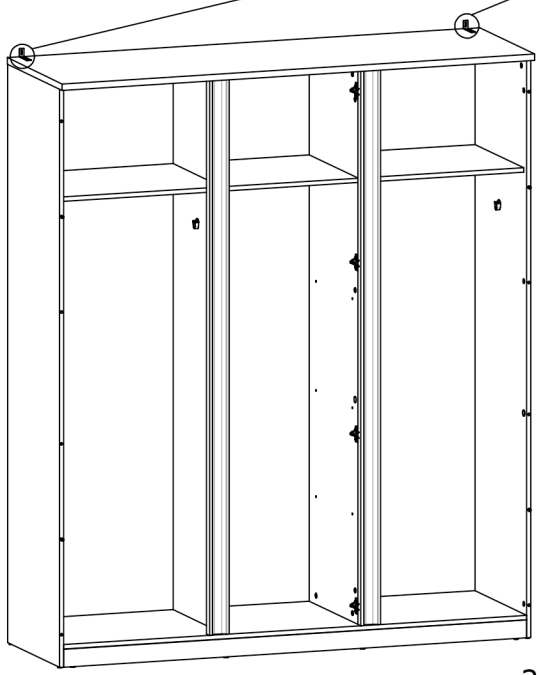
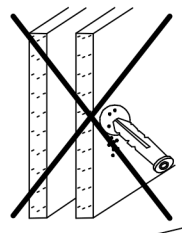
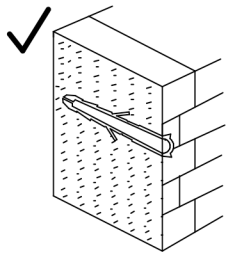
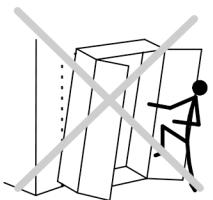
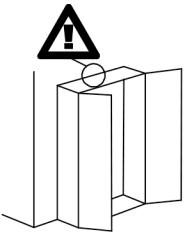
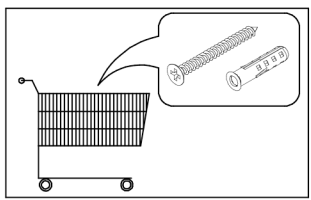
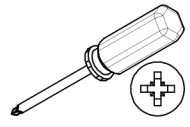
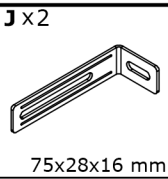
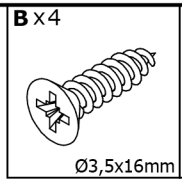
$A=B \equiv 90^\circ$



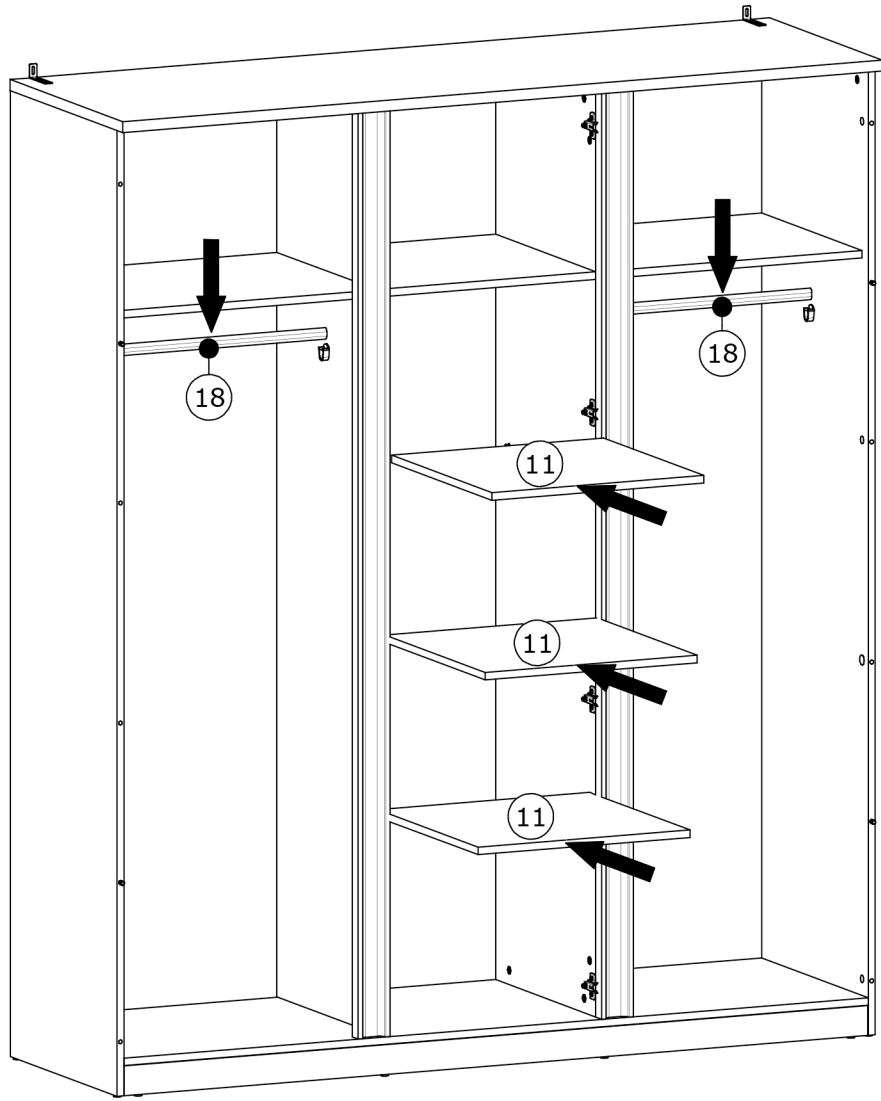
20



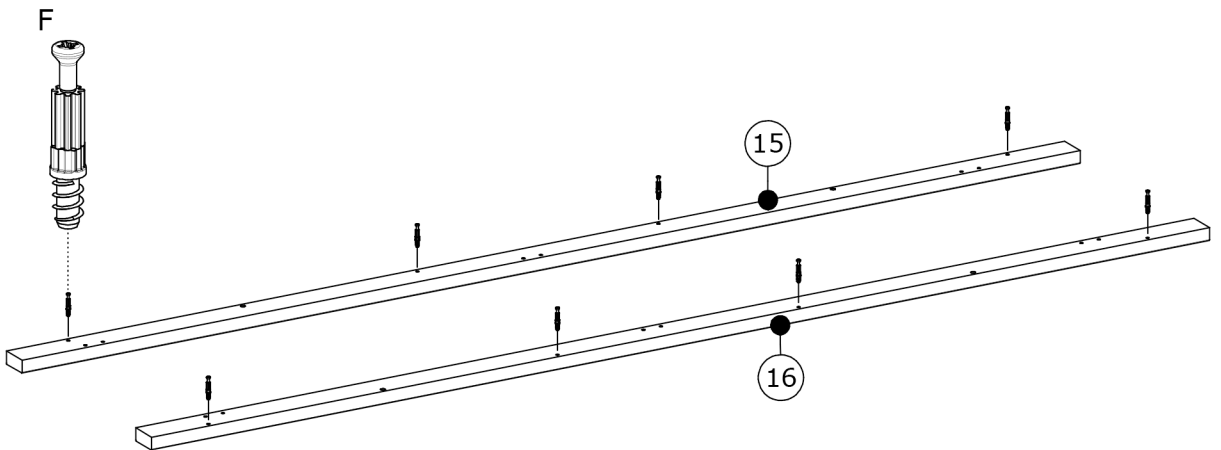
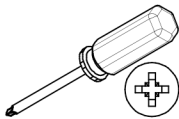
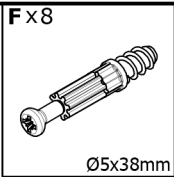
21



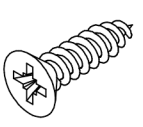
22

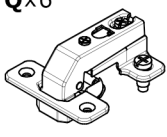


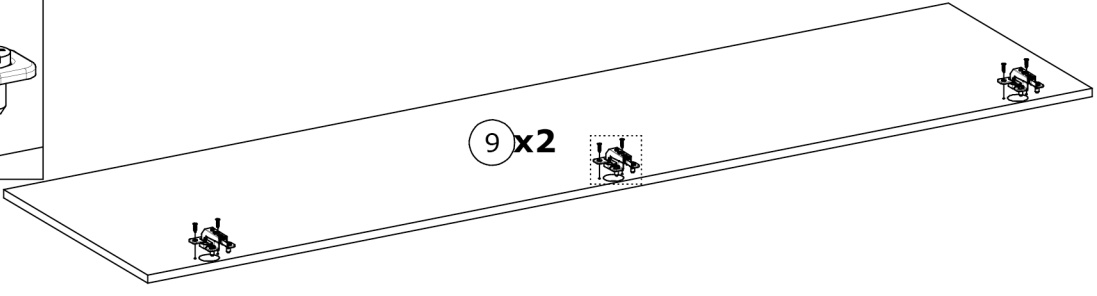
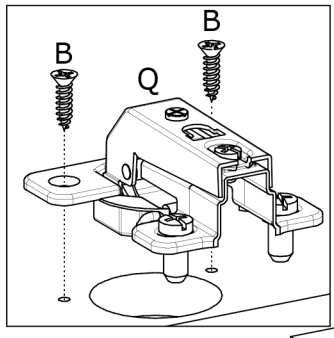
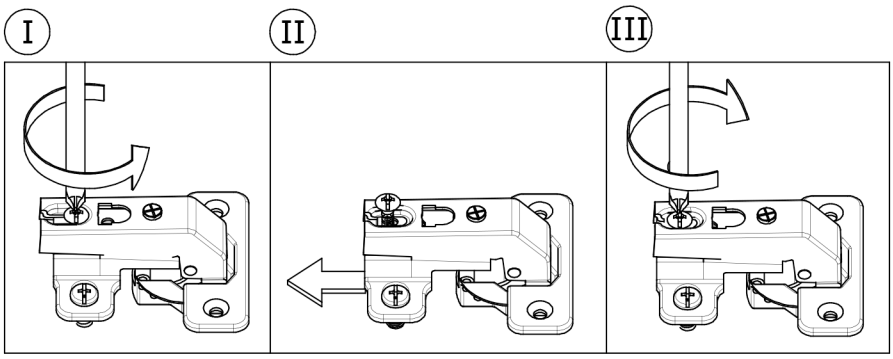
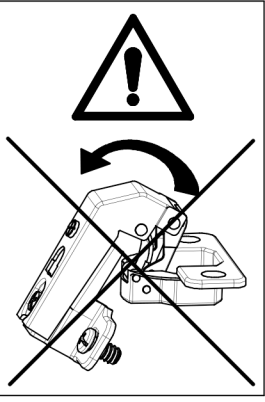
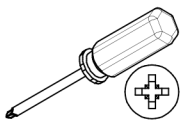
23



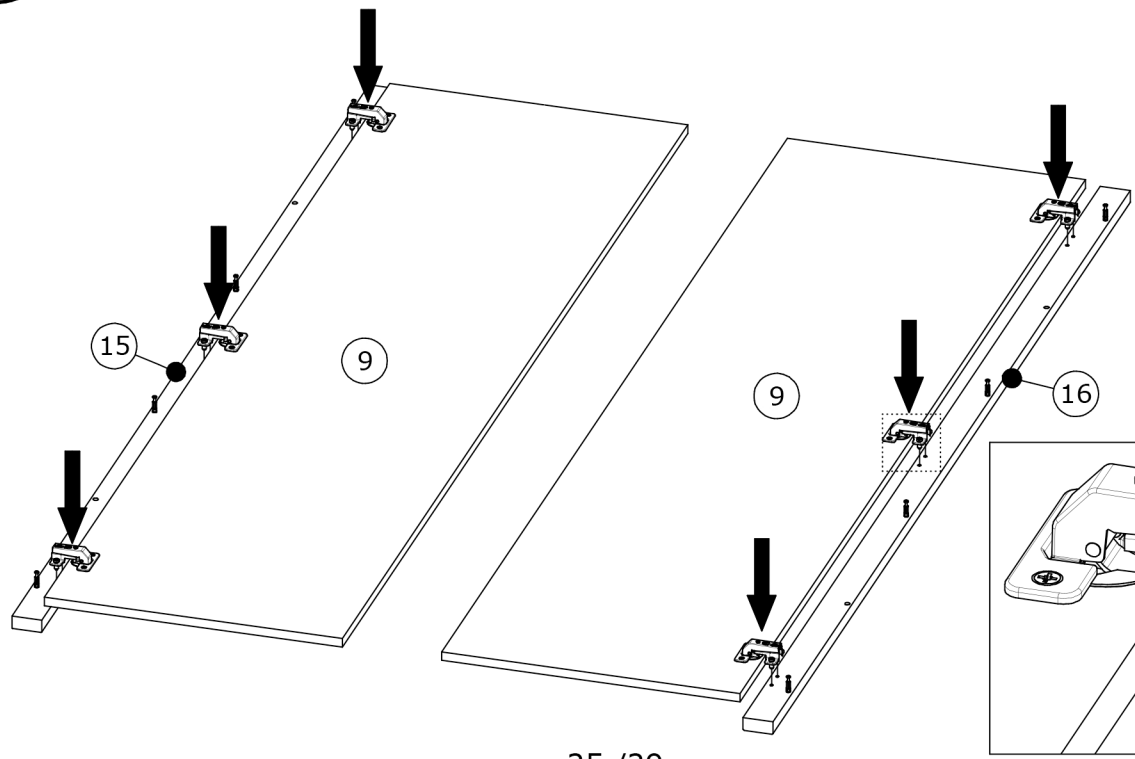
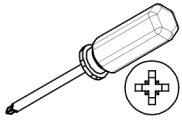
# 24

**B x 12**  
  
Ø3,5x16mm

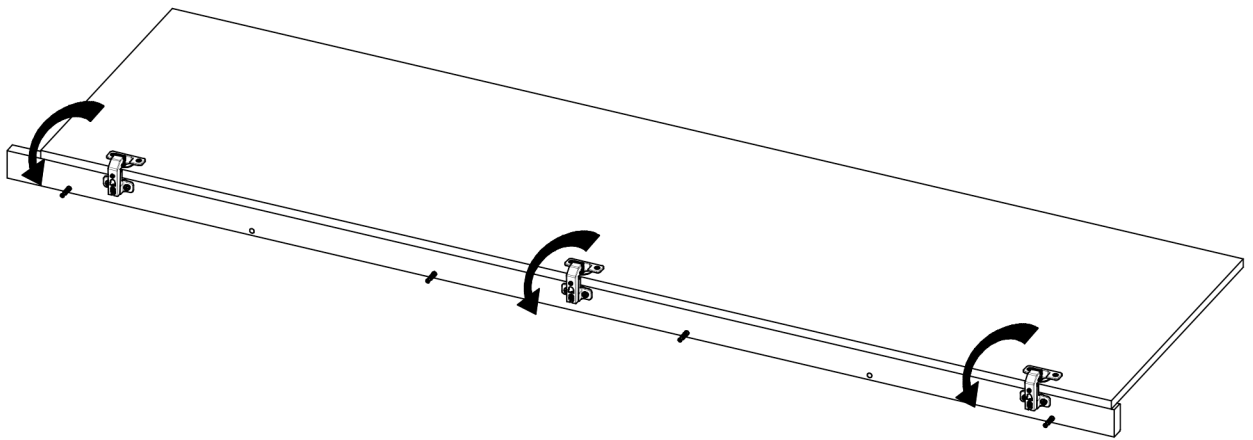
**Q x 6**  
  
Ø35mm, 90°



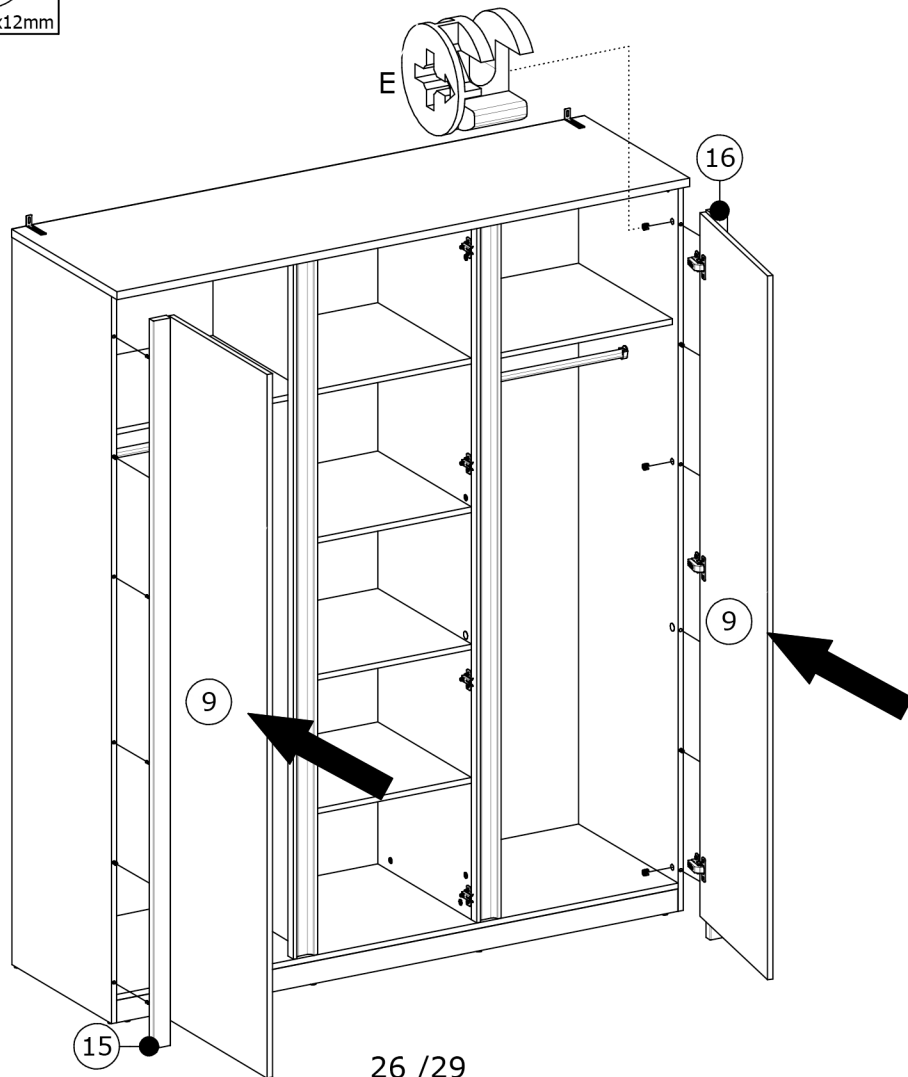
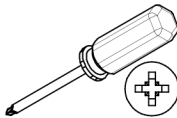
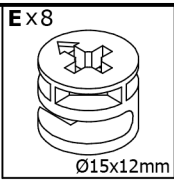
# 25



26

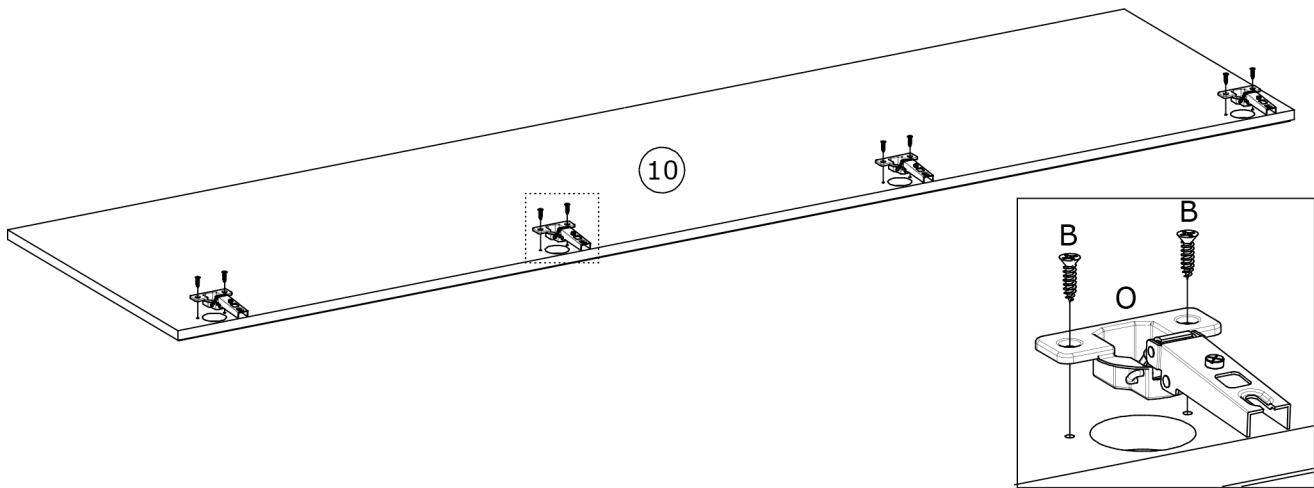
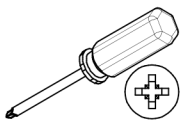
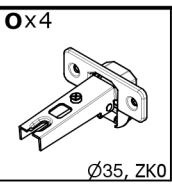
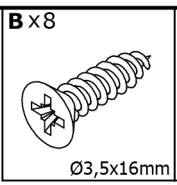


27

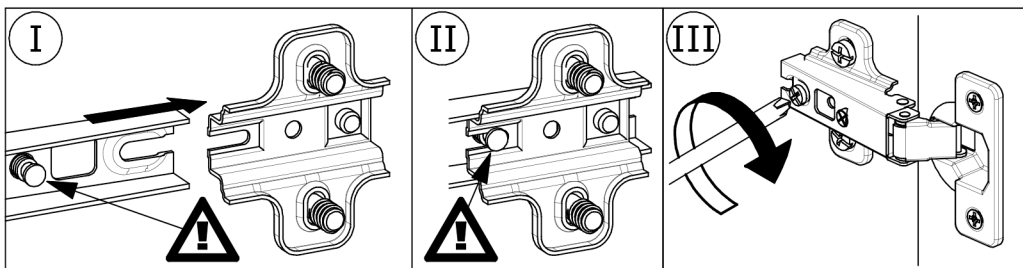
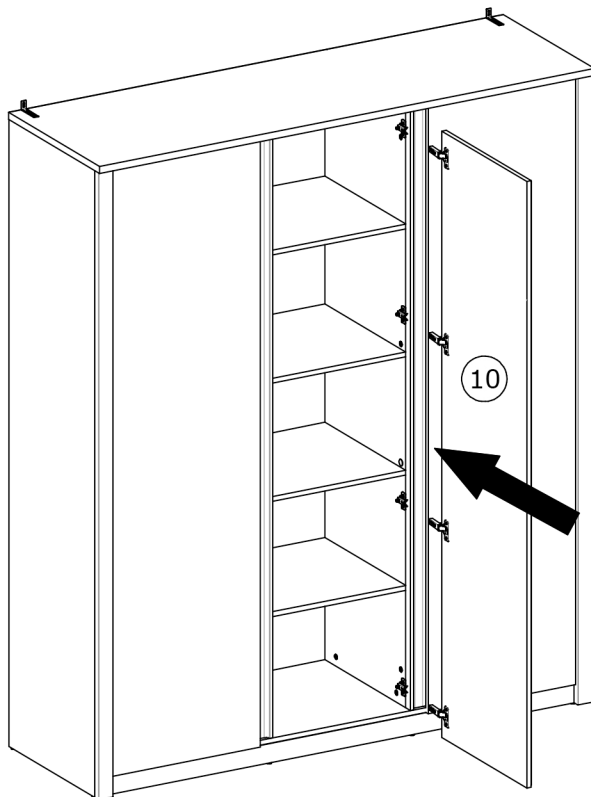
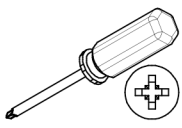




28



29



**30**

**Dx40**

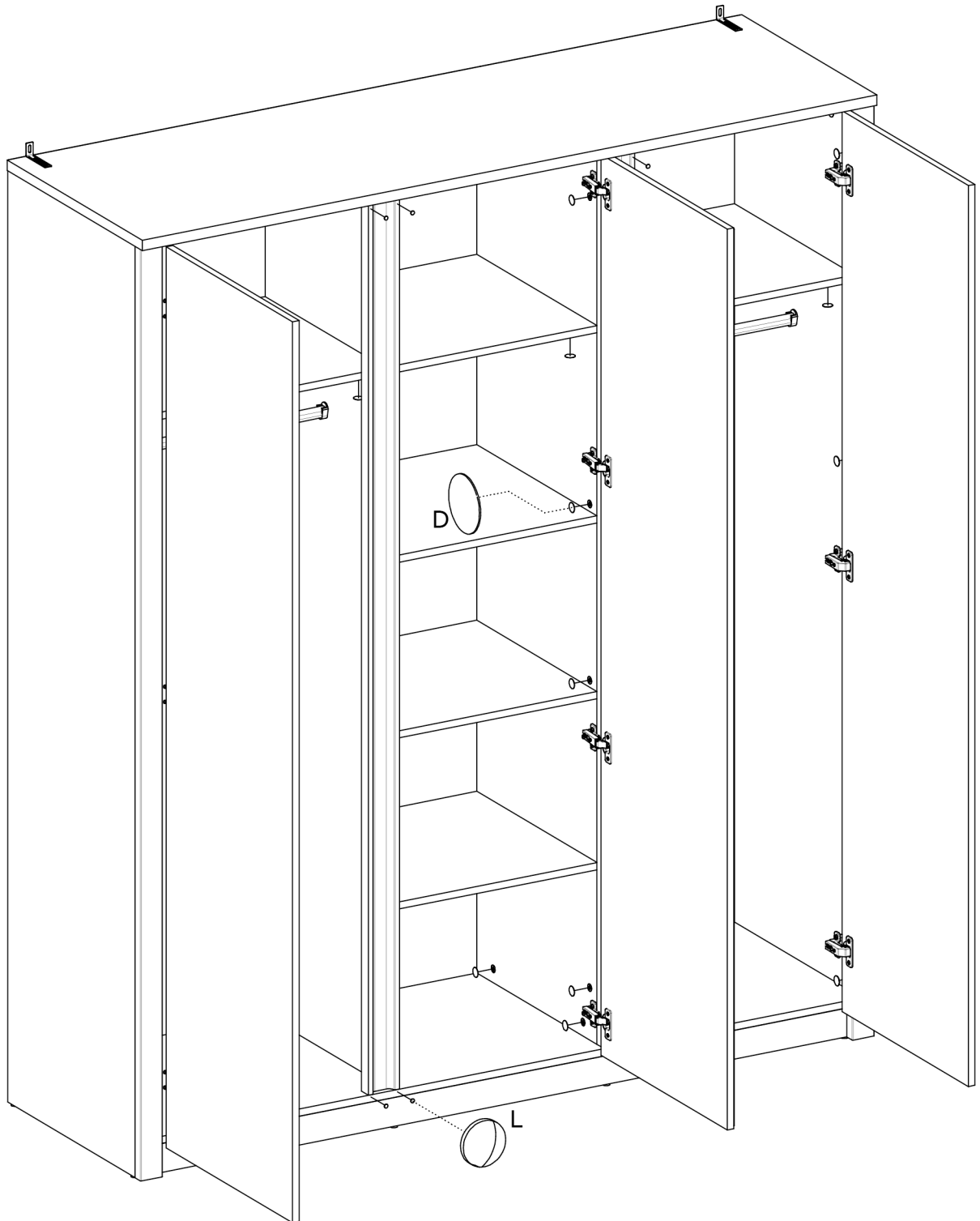


Ø21mm

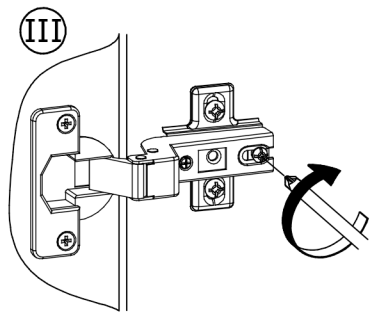
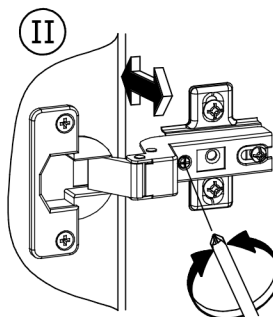
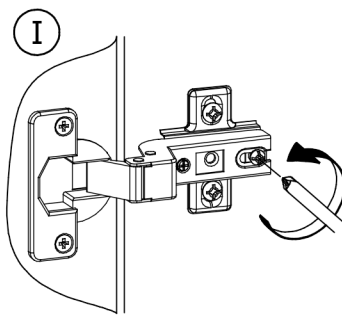
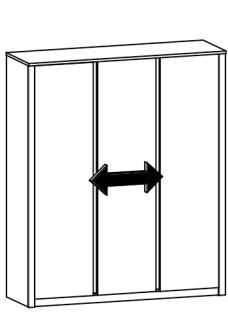
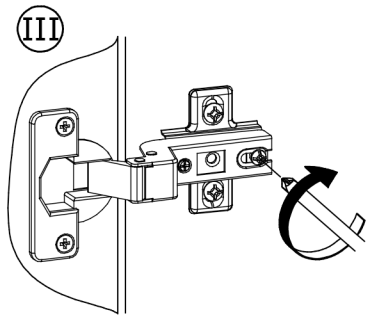
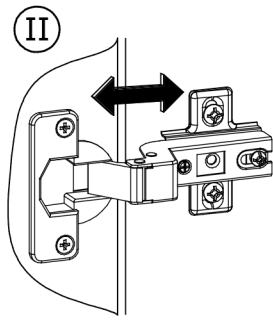
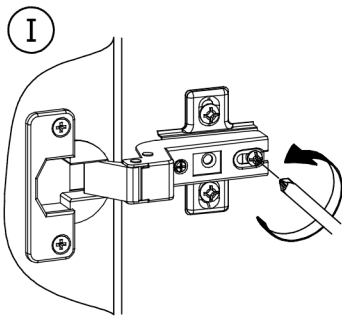
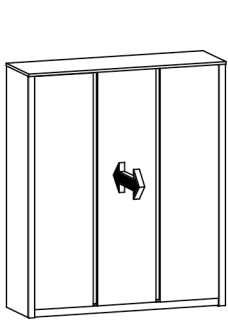
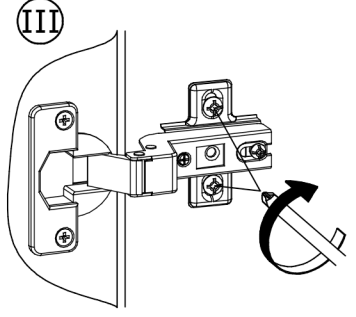
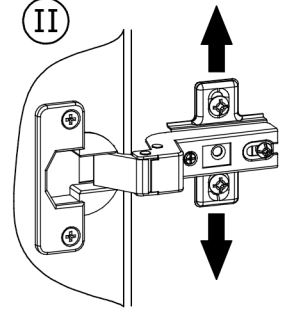
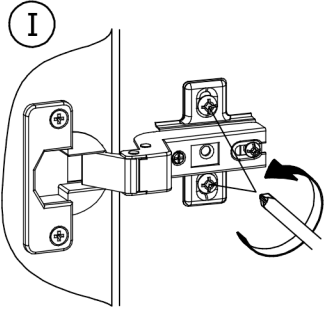
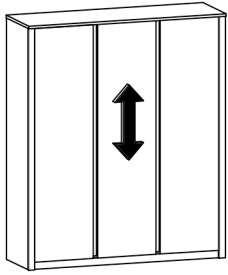
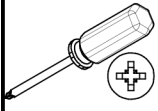
**Lx6**



Ø8x1,5mm



# 31



# 32

